

LEADED COMMON MODE CHOKES

Series BC

FEATURE

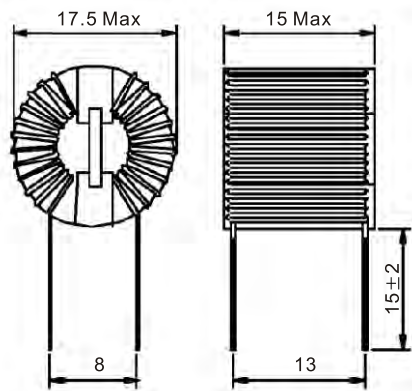
- ◆ Compact size and light weight.
- ◆ Excellent frequency characteristics.

APPLICATIONS

- ◆ For line filter of switching power supplies.
- ◆ Countermeasures against static noise at power lines and signal lines. For TVs, monitors and audio equipments.
- ◆ For line filters of AC adapters, battery chargers, etc.

ELECTRICAL SPECIFICATIONS

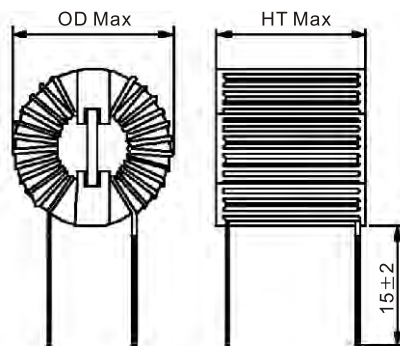
BC13X07



Unit : mm

Part Number	Inductance (mH) min.	Rated Current (A)	DRC Resistance (mΩ / Line) max.	Unit : mm
				Wire Size (mm □)
BC13X07XX1T	0.6	1	60	0.40
BC13X07XX2T	1.0	1	70	0.40
BC13X07XX3T	2.0	1	100	0.40
BC13X07XX4T	3.0	1	120	0.40
BC13X07XX5T	5.0	1	150	0.40
BC13X07XX6T	7.0	1	200	0.40
BC13X07XX7T	0.6	2	50	0.50
BC13X07XX8T	1.0	2	60	0.50
BC13X07XX9T	2.0	2	70	0.50
BC13X07XXAT	3.0	2	85	0.45
BC13X07XXBT	5.0	2	95	0.45
BC13X07XXCT	0.6	3	30	0.60
BC13X07XXDT	1.0	3	35	0.60

BC16X08



Part Number	Case OD	Case HT
BC16X08XX1T	17.5	12
BC16X08XX2T	19.5	14
BC16X08XX3T	23.5	12
BC16X08XX4T	26.5	17
BC16X08XX5T	32.5	17